



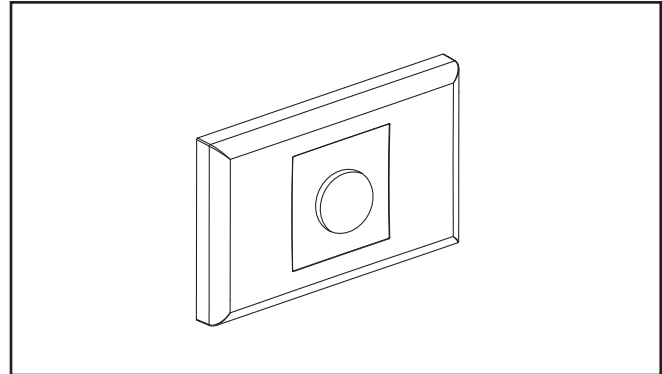
# Skirting Light with Backup Battery

## Cat XLP941WEWE

### Instruction Manual

#### 1 Specifications

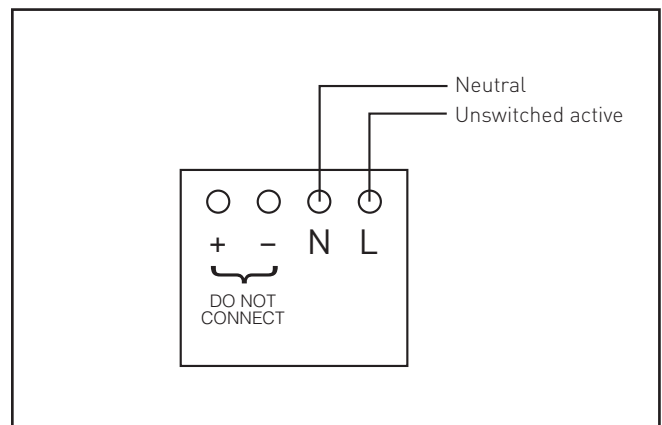
|                     |                    |
|---------------------|--------------------|
| Supply voltage      | 230-240V a.c.      |
| Current consumption | 15mA               |
| Backup batteries    | 4.8V 0.2Ah         |
| Terminal capacity   | 1.5mm <sup>2</sup> |
| IP rating           | IP20               |



#### 2 Operation

XLP941WEWE is a safety light that shines at full brightness when mains power is connected. In case of power failure rechargeable backup batteries within the unit keeps the light illuminated at reduced brightness for a period of at least one hour. These batteries are recharged whenever mains power is restored. Batteries not replaceable.

#### 3 Wiring



#### 4 Warning

This product must only be connected to the mains supply by a qualified electrician. This is not an emergency light.

#### Warranty

HPM Cat XLP941WEWE is warranted as here and after appears, against faulty material and/or workmanship for a period of one year from the day of purchase. The obligation of the manufacturer under this warranty is limited to servicing and replacing defective parts when the unit is returned to the authorised place of purchase. To obtain warranty repair, the purchase receipt should be returned with the product. This warranty becomes void on any unit which has been tampered with or damaged by accident, short circuited, loaded beyond rating or damaged otherwise by improper operation. The warranty is also conditional on the unit being installed by a licensed electrical contractor. All other warranties, whether expressed or implied, and whether arising by operation of law or otherwise are hereby excluded.

#### Customer Service

For all customer service and technical support please call Monday to Friday during business hours.

HPM Legrand Australia  
1300 369 777  
[www.hpm.com.au](http://www.hpm.com.au)

HPM Legrand - New Zealand  
0800 476 009  
[www.hpm.co.nz](http://www.hpm.co.nz)

Legrand Australia Pty Ltd  
ABN: 31 000 102 661

A Group Brand | legrand®